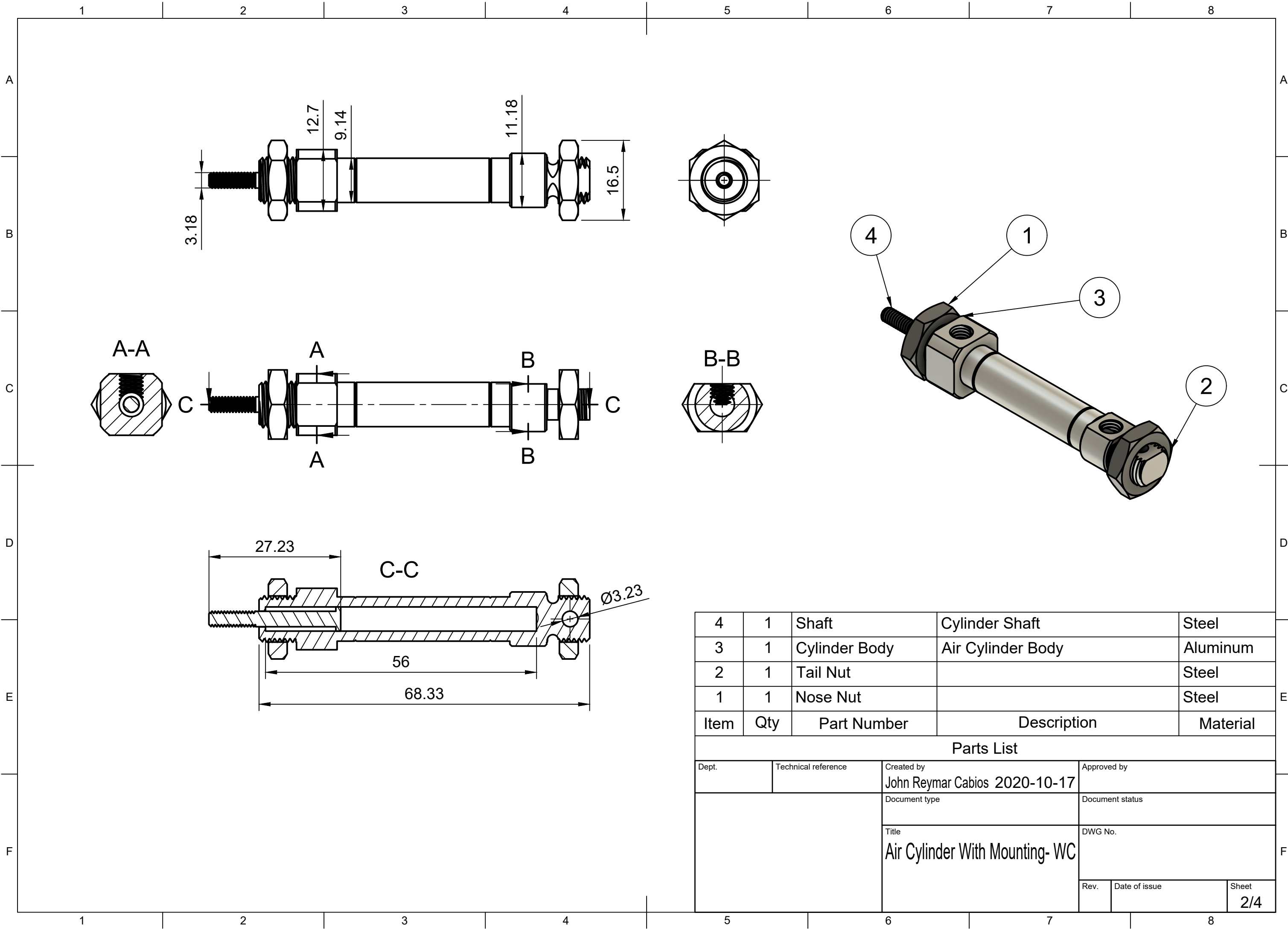
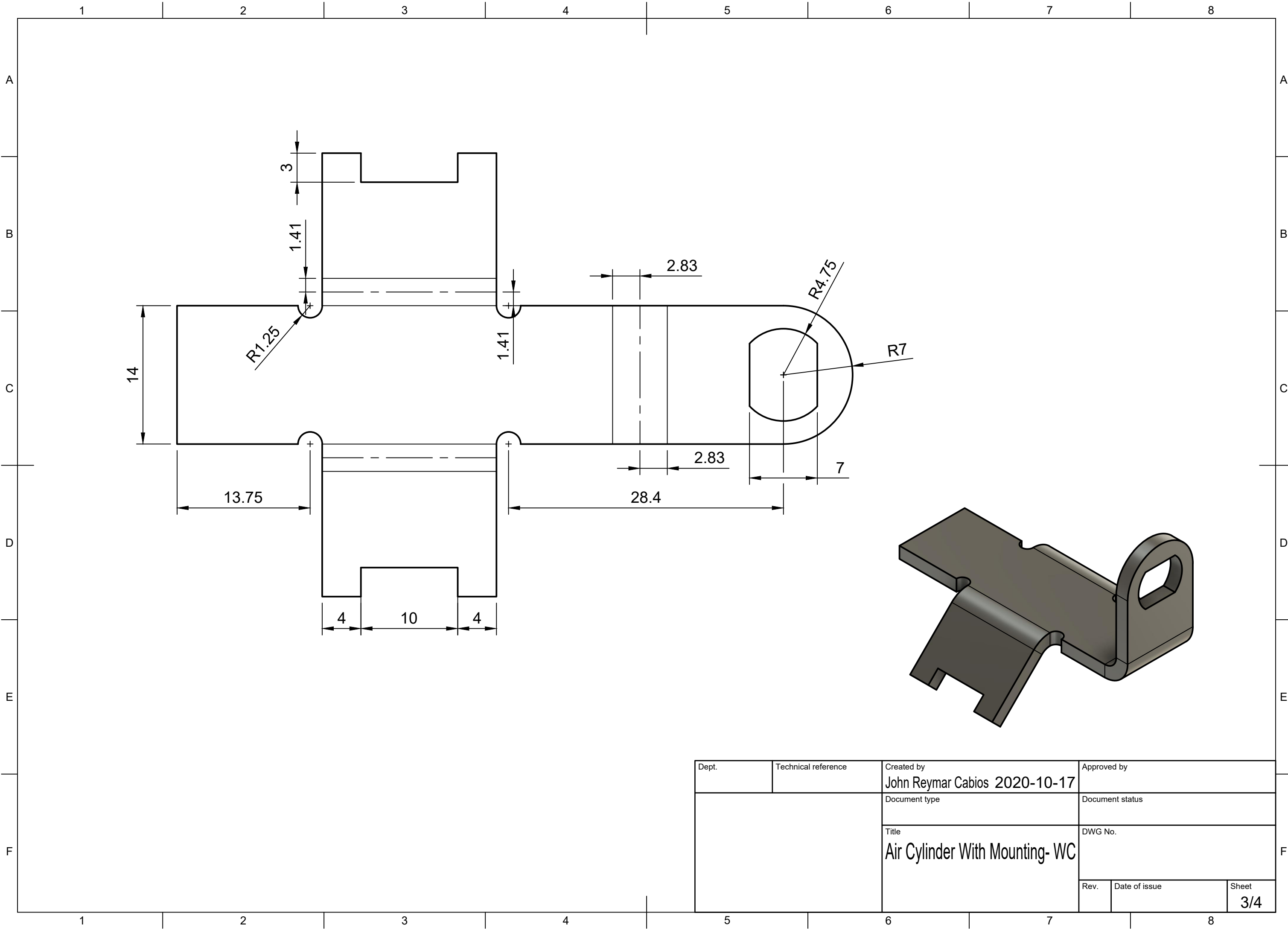


Dept.	Technical reference	Created by John Reymar Cabios 2020-10-17	Approved by	
		Document type	Document status	
		Title Air Cylinder With Mounting- WC	DWG No.	
	Rev.	Date of issue	Sheet	1/4

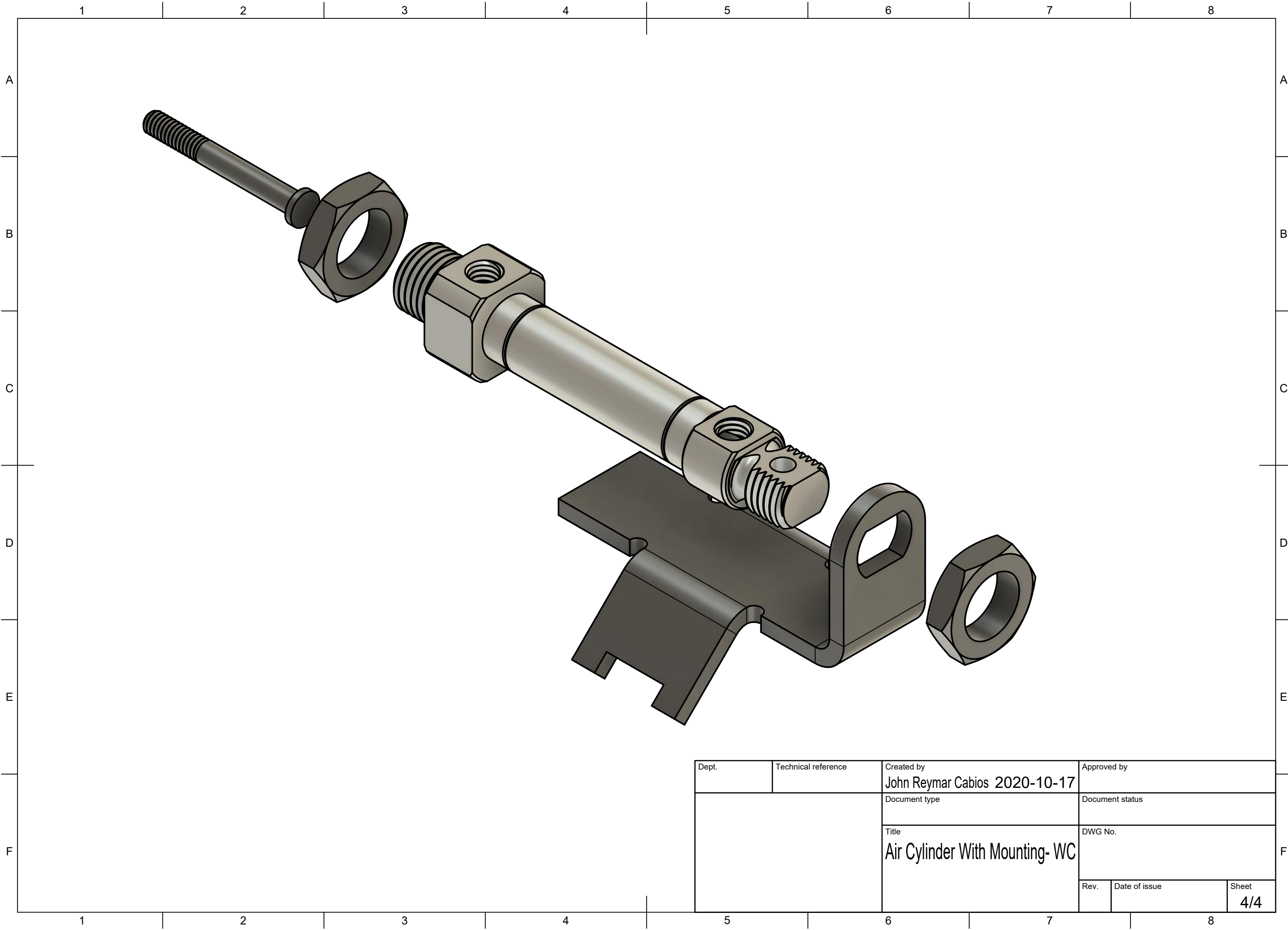


4	1	Shaft	Cylinder Shaft	Steel
3	1	Cylinder Body	Air Cylinder Body	Aluminum
2	1	Tail Nut		Steel
1	1	Nose Nut		Steel
Item	Qty	Part Number	Description	Material

Parts List				
Dept.	Technical reference	Created by John Reymar Cabios 2020-10-17	Approved by	
		Document type	Document status	
		Title Air Cylinder With Mounting- WC	DWG No.	
Rev.	Date of issue	Sheet		2/4



Dept.	Technical reference	Created by John Reymar Cabios 2020-10-17	Approved by
		Document type	Document status
		Title Air Cylinder With Mounting- WC	DWG No.
Rev.	Date of issue	Sheet	3/4



Dept.	Technical reference	Created by John Reymar Cabios 2020-10-17	Approved by	
		Document type	Document status	
		Title Air Cylinder With Mounting- WC	DWG No.	
		Rev.	Date of issue	Sheet 4/4